



Unimag™

Residential Single-Jet Water Meter for cold and warm water

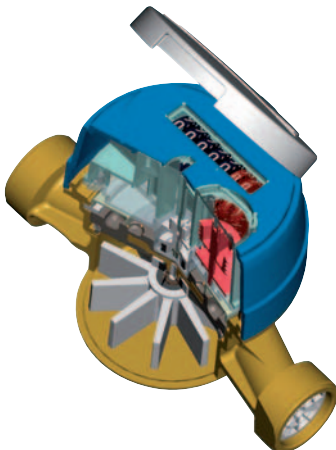
Unimag is a versatile turbine extra-dry water meter for residential application in sizes 15 and 20 mm for cold and warm water.

FEATURES AND BENEFITS

- » World-Class Single-Jet Meter, Extra-Dry
 - Cold or Warm Water
 - Compact and Easy to Install
 - EEC Class BH-A

The Technology

The meter combines the turbine single-jet technology with the proven reliability of the extra-dry register. No parts of the register are in contact with the water flow thanks to the high performance magnetic transmission.



Metrological Performance

The meter exceeds the EEC Class B approval requirements when installed within an angle of $\pm 30^\circ$ from the horizontal position, offering class A performances in all other positions.

Reliability

Extensively proven Unimag hydraulics have been already used in more than 10 millions of meters installed in more than 25 countries!

Main features

- » Enhanced design and technologies to combine high performance with longterm reliability
- » Frictionless high-end technical materials for the hydraulics and register pivot
- » Robustly designed, pressurized parts able to pass the strongest resistance tests (PN 16) in both static and dynamic conditions
- » Shock-resistant material for register and meter closure.
- » Automated assembly and monitoring process to ensure constant high quality level over the whole production
- » 100% manufactured in the EEC in strict compliance with most severe quality and environmental standards.

Easy reading

- » 360° possible rotation of the register for comfortable reading in any position
- » 8 numbered rollers with high contrast for easy and error-free reading up to 99.999,999 m³.
- » Register with hermetically sealed enclosure in order to keep all inside parts perfectly clean and protected throughout the entire lifetime of the product.

Compliance with Standards

- » Metrology
Approved according EEC Directives 75/33 and 79/830, ISO 4064 and OIML IR 49 provisions.
- » Materials
Highly engineered and certified (ACS, KTW,...) materials specific for contact with potable water.
- » Manufacturing
ISO 9001:2000
ISO 14001: 2004

Technical Specifications

Nominal diameter (DN)	mm	15	20
	inches	½"	¾"
E.E.C. metrology class		B horizontal - A all other positions	
E.E.C. approval		D 99 6.131.10 (cold water) - D 99 6.331.97 (warm water)	
Maximum admissible temperature	°C	30° (90° for warm water)	
Starting flow rate	L/h	8.5	12
Minimum flow rate	Q _{min} L/h	30	50
Transitional flow rate	Q _t L/h	120	200
Nominal flow rate	Q _n L/h	1500	2500
Maximum flow rate	Q _{max} L/h	3000	5000
Loss head at Q _{max}	bar	0.70	0.65
Maximum admissible pressure	bar	16	
Testing pressure	bar	25	
Indication range	m ³	99999.999	
Minimum scale interval	L	0.05	

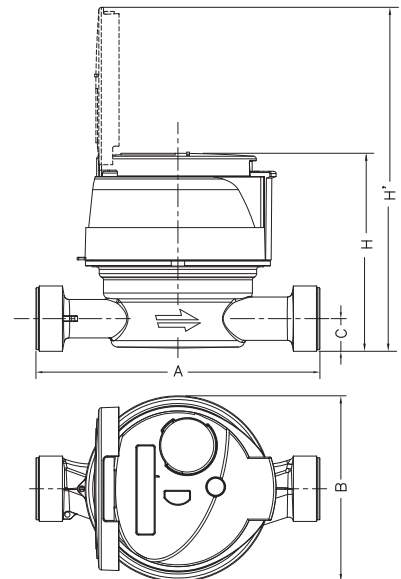
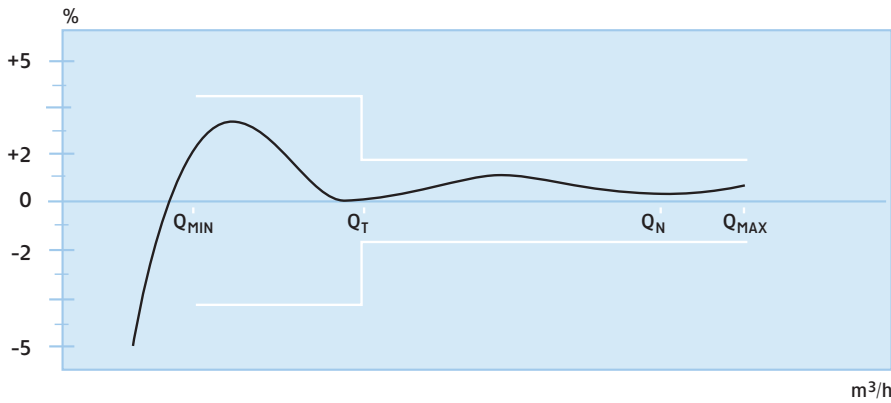
Dimensions

Nominal diameter (DN)	mm	15	20
Meter Thread		G ¾"	G 1"
A	mm	80 - 110	130
B	mm	72	72
C	mm	13	17
H	mm	77	82
H'	mm	134	139

Others lengths available under special request.



TYPICAL ACCURACY CURVE



Our company is the world's leading provider of smart metering, data collection and utility software systems, with over 8,000 utilities worldwide relying on our technology to optimize the delivery and use of energy and water.

To realize your smarter energy and water future, start here: www.itron.com

For more information, contact your local sales representative or agency:

ITRON WATER METERING

Strada Valcossera, 16
14100 Asti
Italy

Phone: +39 0141 477077

Fax: +39 0141 477177